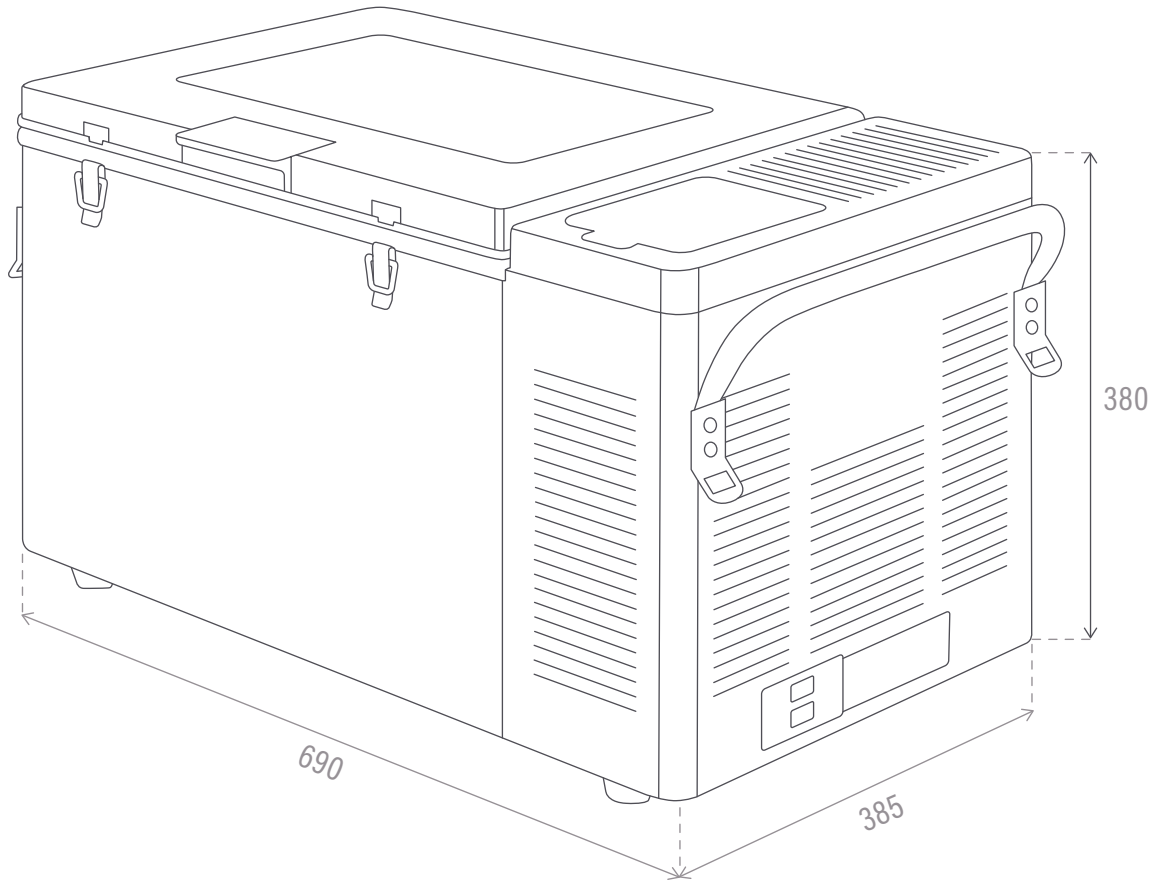




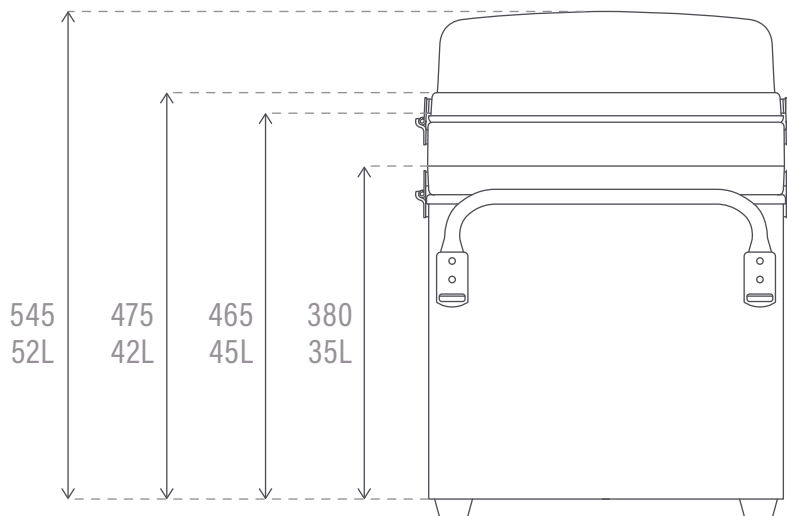
BUSHMAN

Original Bushman 35L-52L



35L ↑

DIMENSIONS WITH EXTENSION KIT ↓



Scale (mm)

BUSHMAN.COM.AU

+61 3 8080 9990